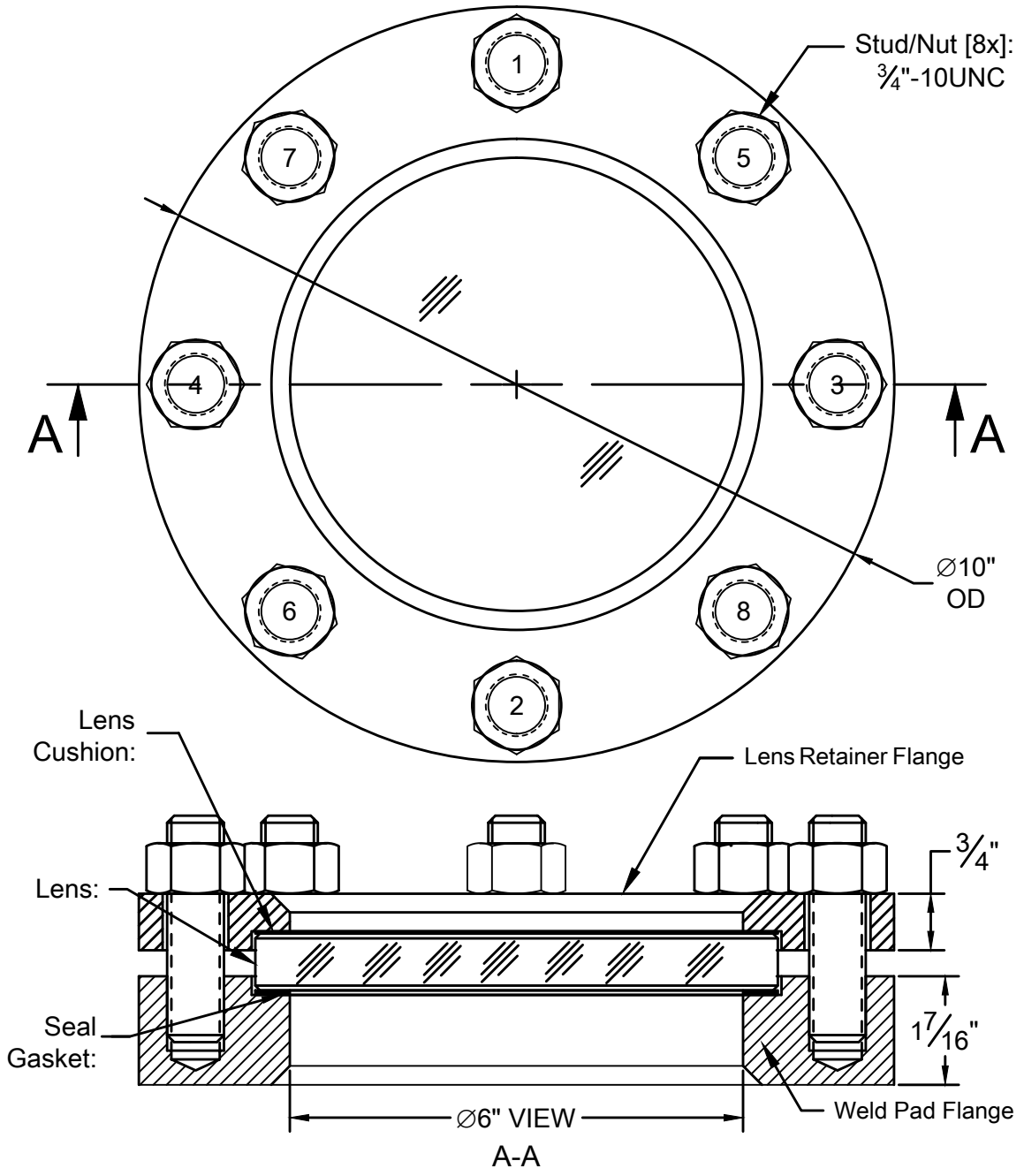


SERIES NW125 | 6"Ø WELD PAD STYLE CIRCULAR SIGHT GLASS



- Notes:
1. Maximum Pressure: 150 PSI/FV
 3. Flange materials are ASME Section VIII Acceptable forgings or plate.
 4. Follow sequence shown above in small increments to min amounts above. Max. difference of 3 ft-lbs
 5. Do not attempt installation until reading and understanding JGPCO MANUAL #001

TORQUE TABLE - FT-LBS		
ELASTOMER	EXPANDED PTFE	GRAFOIL
22	30	28

UNLESS OTHERWISE NOTED: DIMENSIONS ARE IN INCHES. DIMENSIONS SYMMETRICAL ABOUT CENTERLINES. BREAK CORNERS. REMOVE BURRS. CAST FILLET RADII: $\frac{1}{8}$ "R, CAST CORNER RADII: $\frac{1}{16}$ "R

WARNING: ASME CODE CALCULATIONS AND ANY RESULTING ADDITIONAL MATERIAL NEEDED TO REINFORCE SIGHT GLASS OPENING TO MEET ASME CODE IS THE RESPONSIBILITY OF THE VESSEL MANUFACTURER.



SERIES NW125
6"Ø ASME SECT. VIII WELD PAD STYLE SIGHT GLASS

THIS DRAWING IS THE SOLE PROPERTY OF THE PAPAILIAS COMPANY, INC. AND NEITHER THE DOCUMENT NOR THE INFORMATION CONTAINED HEREIN SHALL BE COPIED, REPRODUCED, DISCLOSED OR TRANSFERRED, EXCEPT AS AUTHORIZED IN WRITING.	DRAWN:	GCP	12/11/14	SIZE	CODE#	DRAWING NO.	REV
	CHKED:	RPS	12/11/14	A	A	01A125	0
	APPRVD:	RPS	12/11/14	SCALE: 7/16	EST. WEIGHT: 35LBS	SHEET: 1 OF 1	